

H6A and H6X Dome Cameras

2 MP

4 MP

6 MP

8 MP

The Avigilon **H6A camera line** elevates your situational awareness to new heights by combining onboard video analytics with audio analytics. It comes with a built-in mic to alert you of auditory disturbances, allowing you to not only see, but also hear what's happening. If you need to meet certain privacy and/or cybersecurity requirements, the AI-powered **H6X camera line** has been designed with no built-in mic nor wireless technology for easy compliance. Take on any environment with the flexible **dome** form factor that's available on both camera lines. Its modular design and multiple mounting options offer maximum installation flexibility.



Features



AdaptAI Video Analytics

Be a step ahead of incidents with the camera's ability to flag unusual crowds or a person crawling under a fence. Classify more objects such as a commercial van, pick-up truck or box truck with analytics event support.



Audio Analytics & Recording

Expand your awareness with alerts for gunshots¹, breaking glass, screaming and more. Review video from the triggering camera to investigate the sound. Have the option to record audio when you need it.



Dynamic Privacy Masking

Easily meet privacy requirements with the ability to track and blur people and vehicles appearing in video, but have the flexibility for authorized personnel to lift it during investigations.



Outdoor-Ready Design

Safeguard the outdoors with the exceptionally tough outdoor dome that is rated IK10/11, IP66/67 and NEMA Type 4X² to withstand impact, water, corrosion and more.



Low-Light Clarity

Never miss a moment in low-light conditions with IR models available. The split IR dome is designed for 24/7 visibility, even when dust collects on the camera, reducing the number of maintenance visits.



Secure & Compliant

Trust that your data is well-protected with advanced cybersecurity features such as an onboard FIPS 140-2 level 3 compliant TPM and Secure Boot.

¹ Separate license required.

² Environmental ratings will vary by models.

Specifications

| Image Performance | | 2.0 MP | 4.0 MP | 6.0 MP | 8.0 MP (4K Ultra HD) |
|---|--------------------|---|--|---|---|
| Image Sensor | | 1/2.8" progressive scan CMOS | | 1/1.8" progressive scan CMOS | |
| Max Resolution (H x V) and Aspect Ratio | Primary | (16:9) 1920 x 1080 | (16:9) 2688 x 1520, 2560 x 1440, 1920 x 1080 (4:3) 1984 x 1488 | (16:9) 3328 x 1872, 3200 x 1800, 2688 x 1520, 2560 x 1440, 1920 x 1080 (4:3) 2880 x 2160, 2304 x 1728, 2048 x 1536 | (16:9) 3840 x 2160, 3328 x 1872, 3200 x 1800, 3072 x 1728 (4:3) 2880 x 2160, 2560 x 1920 |
| | Secondary | (16:9) 1920 x 1080*, 1280 x 720, 768 x 432, 640 x 360, 512 x 288 | (16:9) 2688 x 1520*, 1920 x 1080, 1280 x 720, 768 x 432, 640 x 360, 512 x 288 (4:3) 1984 x 1488*, 1920 x 1440, 1600 x 1200, 1280 x 960, 768 x 576, 640 x 480, 512 x 384, 384 x 288; | (16:9) 3328 x 1872*, 1920 x 1080, 1280 x 720, 768 x 432, 640 x 360, 512 x 288 (4:3) 2880 x 2160*, 1920 x 1440, 1600 x 1200, 1280 x 960, 768 x 576, 640 x 480, 512 x 384, 384 x 288 | (16:9) 3840 x 2160*, 2560 x 1440, 1920 x 1080, 1280 x 720, 768 x 432, 640 x 360, 512 x 288 (4:3) 2880 x 2160*, 2560 x 1920, 2304 x 1728, 1920 x 1440, 1600 x 1200, 1280 x 960, 768 x 576, 640 x 480, 512 x 384 |
| | Tertiary | (16:9) 1280 x 720, 768 x 432, 640 x 360, 512 x 288, 384 x 216 | (16:9) 1280 x 720, 768 x 432, 640 x 360, 512 x 288, 384 x 216 (4:3) 1280 x 960, 800 x 600, 640 x 480, 512 x 384, 368 x 264 | (16:9) 1280 x 720, 768 x 432, 640 x 360, 512 x 288, 384 x 216 (4:3) 1280 x 960, 768 x 576, 640 x 480, 512 x 384, 384 x 288, 368 x 264 | (16:9) 1920 x 1080, 1280 x 720, 768 x 432, 640 x 360, 512 x 288, 384 x 216 (4:3) 1920 x 1440, 1600 x 1200, 1280 x 960, 800 x 600, 640 x 480, 512 x 384, 384 x 288, 368 x 264 |
| Dynamic Range | WDR Off | Up to 83 dB | | | |
| | WDR On (IEC 62676) | Up to 126 dB (dual exposure, 30 fps) Up to 144 dB (triple exposure, 20 fps or less) | Up to 106dB (dual exposure, 30 fps) Up to 136dB (triple exposure, 20 fps or less) | Up to 130dB (dual exposure, 30 fps) | |
| | WDR On | Up to 130 dB (dual exposure, 30 fps) Up to 150 dB (triple exposure, 20 fps or less) | Up to 120dB (dual exposure, 30 fps) Up to 144dB (triple exposure, 20 fps or less) | Up to 144 dB (dual exposure, 20 fps or less) | |
| Max Image Rate | | (50 Hz/60 Hz): 50 fps/60 fps in High Frame Rate Mode ¹ , otherwise 25 fps/30 fps | | (50 Hz/60 Hz): 25 fps/30 fps | |
| Bandwidth Management | | HDSM SmartCodec technology; Idle scene mode | | | |

*Only available at half frame rate of the primary stream.

¹ Max Frame Rate of 60 fps is only achievable with High Frame Rate mode enabled. High Frame Rate mode will disable analytics.

| Lens and IR Illumination | | 2.8 - 12 mm | 4.4 - 9.3 mm | 10.9 - 29 mm |
|--|-------------|---|--|---|
| IR Illumination Max Distance ² (high power 850 nm LEDs) | | 50 m (164 ft) full tele 25 m (82 ft) full wide | 50 m (164 ft) full tele 25 m (82 ft) full wide | 70 m (230 ft) full tele 40 m (131 ft) full wide |
| Minimum Illumination | 2 MP | With IR: 0 lux in monochrome mode Without IR: 0.003 lux in monochrome mode; 0.01 lux in color mode | N/A | With IR: 0 lux in monochrome mode Without IR: 0.004 lux in monochrome mode; 0.01 lux in color mode |
| | 4 MP | N/A | With IR: 0 lux in monochrome mode Without IR: 0.003 lux in monochrome mode; 0.008 lux in color mode | With IR: 0 lux in monochrome mode Without IR: 0.004 lux in monochrome mode; 0.01 lux in color mode |
| | 6 MP & 8 MP | N/A | With IR: 0 lux in monochrome mode Without IR: 0.006 lux in monochrome mode; 0.02 lux in color mode | With IR: 0 lux in monochrome mode Without IR: 0.008 lux in monochrome mode; 0.03 lux in color mode |

| Lens and IR Illumination | | 2.8 - 12 mm | 4.4 - 9.3 mm | 10.9 - 29 mm |
|--|--------------------|---|--------------------------------------|-------------------------------------|
| Horizontal Angle of View Based on Aspect Ratio | 2 MP | (16:9) 27° - 119° | N/A | (16:9) 11° - 30° |
| | 4 MP | N/A | (16:9) 47° - 111° (4:3) 35° - 78° | (16:9) 15° - 42° (4:3) 11° - 31° |
| | 6 MP & 8MP | N/A | (16:9) 47° - 109° (4:3) 35° - 78° | (16:9) 15° - 42° (4:3) 11° - 31° |
| Vertical Angle of View Based on Aspect Ratio | 2 MP | (16:9) 15° - 64° | N/A | (16:9) 6° - 16.5° |
| | 4 MP & 6 MP & 8 MP | N/A | (16:9) 26° - 57° (4:3) 26° - 57° | (16:9) 9° - 23° (4:3) 9° - 23° |
| Max Aperture | | F1.4 | F1.3 | F1.7 |
| Control | | Remote Zoom and Focus, Autofocus, IR Cut Filter | | |

² IR illumination power may be reduced at higher operating temperatures.

| Image Control | |
|----------------------------|---|
| Image Compression Method | H.264 HDSM SmartCodec, H.265 HDSM SmartCodec, Motion JPEG |
| Streaming | Multi-stream H.264, Multi-stream H.265, Motion JPEG |
| Motion Detection | Pixel motion: Selectable sensitivity and threshold. Classified object detection |
| Camera Tamper Detection | Yes |
| Electronic Shutter Control | Automatic, Manual (1/7.5 to 1/15000 sec) |
| Iris Control | Automatic, Open, Closed |
| Day/Night Control | Automatic, Manual, External |
| Flicker Control | 60 Hz, 50 Hz |
| White Balance | Automatic, Manual |
| Backlight Compensation | Adjustable |
| Image Rotation | 0°, 90°, 180°, 270° including Corridor Mode |
| Privacy Zones | Up to 64 zones |

| Network | |
|-----------------------------|--|
| Network | 100BASE-TX for H6A, 1000BASE-T for H6X |
| Cabling | CAT5e |
| Connector | RJ-45 |
| ONVIF | ONVIF® compliance Profile S, Profile T, Profile M and Profile G (www.onvif.org) |
| Security | Password protection, HTTPS encryption, digest authentication, WS authentication, user access log, 802.1x port based authentication, FIPS 140-2 L1 (with optional camera license), onboard FIPS 140-2 L3 certified TPM, Secure Boot |
| Protocols | IPv6, IPv4, HTTP, HTTPS, SOAP, DNS, NTP, RTSP, RTCP, RTP, TCP, UDP, IGMPv3, ICMP, DHCP, Zeroconf, ARP, HSTS, QoS, DSCP |
| Streaming Protocols | RTP/UDP, RTP/UDP multicast, RTP/RTSP/TCP, RTP/RTSP/HTTP/TCP, RTP/RTSP/HTTPS/TCP, HTTP |
| Device Management Protocols | SNMP v2c, SNMP v3 |

| Peripherals | |
|------------------------------|---|
| USB Port | USB 2.0 |
| Onboard Storage ³ | Two microSD/microSDHC/microSDXC slots - video speed class card required. Class V10 or better recommended. |

³ Tested maximum capacity is 1TB.

| Auxiliary I/O | |
|--------------------------|---|
| Audio Compression Method | G.711 PCM 8 kHz, Opus |
| Audio Input/Output | Line level input and output |
| External I/O Terminals | 1 x Relay In, 1 x Relay Out, 1 x 12 VDC out at 50 mA |
| Microphone | Built-in microphone for audio analytics, for certain variants, with physical disable switch |

| Mechanical | | Surface Mount | In-Ceiling mount | Pendant Mount |
|---------------------------------|--------------|--|---|--|
| Dimensions (DxH) | | 182 mm x 132 mm; 7.16" x 5.19" | 219 mm x 198 mm; 8.62" x 7.79" | 182 mm x 190 mm; 7.16" x 7.48" |
| Accessory Only Dimensions (DxH) | | N/A | 219 mm x 115 mm; 8.62" x 4.52" | 155 mm x 65 mm; 6.1" x 2.55" |
| Weight | Indoor Dome | 1.21 kg; 2.66 lbs | 1.83 kg; 4.03 lbs | 1.63 kg; 3.59 lbs |
| | Outdoor Dome | 1.59 kg; 3.5 lbs | 1.99 kg; 4.38 lbs | 2.01 kg; 4.43 lbs |
| Dome Bubble | | Polycarbonate | Polycarbonate | Polycarbonate |
| Body | | Polycarbonate and aluminum | Polycarbonate and aluminum | Polycarbonate and aluminum |
| Housing | | Surface mount | Recessed mount | Pendant mount |
| Finish | Indoor Dome | Plastic injection mold grey (Pantone 427C) | Plastic injection mold grey (Pantone 427C) & Powdercoat black | Powdercoat grey & plastic injection mold grey (Pantone 427C) |
| | Outdoor Dome | Powdercoat grey (Pantone 427C) | Plastic injection mold grey (Pantone 427C) & Powdercoat black | Powdercoat grey (Pantone 427C) |
| Adjustment Range | | Pan 360°, Azimuth 349°, Tilt 92° | | |

| Electrical | | |
|--------------------------|------|---|
| Power Consumption | | 25W (18W with no IR or IR disabled) |
| Power Source | PoE | IEEE 802.3af Class 3 |
| | PoE+ | IEEE 802.3at Class 4 |
| IR Illumination Behavior | PoE | IR illuminator will turn off if the temperature is 65°C (149°F) or higher. The illuminator will operate at 50% power and 25% power if below -25°C (-13°F) |
| | PoE+ | IR illuminator will turn off if the temperature is 65°C (149°F) or higher. The illuminator will operate at 50% power if the temperature is between 55°C (131°F) and 65°C (149°F) and 50% power if below -25°C (-13°F) |
| External Power | | 12-24 VDC +/-10% |
| RTC Backup Battery | | 3V manganese lithium |
| Memory | | 4GB RAM, 4GB Flash |
| Redundant Power | | Seamless failover between PoE and Aux and back without interrupt in camera operation (for H6X only) |

| Environmental | | Indoor Dome | Outdoor Dome |
|------------------------------|-----------------------------|--|--|
| Operating Temperature | PoE | -10°C to +55°C (-14°F to 131°F) | -30°C to +65°C (-22°F to 149°F) with IEEE 802.3af Class 3 (13W PoE) |
| | With External Power or PoE+ | -10°C to +55°C (-14°F to 131°F) | -50°C to +65°C (-58°F to 149°F) with external power or IEEE 802.3at Class 4 (25.5W PoE+) |
| Startup Temperature | PoE | -10°C to +55°C (-14°F to 131°F) | -30°C to +65°C (-22°F to 149°F) with IEEE 802.3af Class 3 (13W PoE) |
| | With External Power or PoE+ | -10°C to +55°C (-14°F to 131°F) | -40°C to +65°C (-40°F to 149°F) with external power or IEEE 802.3at Class 4 (25.5W PoE+) |
| Absolute Maximum Temperature | | 74 °C (165 °F) per NEMA TS2 (Temp.) para 2.2.7.2 - 2.2.7.7 | |
| Storage Temperature | | -10°C to +70°C (14°F to 158°F) | |
| Humidity | | 0 - 95% non-condensing | |

| Certifications | | |
|-------------------------------------|---|--|
| Certifications/Approvals | UL, cUL, CE, ROHS, RCM, UKCA, NOM, KC, BIS | |
| Safety Standards | UL 62368-1, CSA 62368-1, IEC/EN 62368-1, IEC 62471, UL 2043 Plenum (in-ceiling only) | |
| Environmental Standards/Ratings | Indoor Dome | IEC 60529 IP54, IEC/EN 62262 IK11 (IK10 Surface Mount w/IR) |
| | Outdoor Dome | IEC 60529 IP66, IP67, IP68 (2m depth for 2 hours), IPX9K, NEMA 4X, IEC 60068-2 Shock & Vibration, NEMA TS2 Sec 2.2.7-2.2.9, IK11 |
| Electromagnetic Emissions Standards | FCC Part 15 Subpart B Class B, ICES-003 Class B, EN 55032 Class B, EN 61000-6-3, EN 61000-3-2, EN 61000-3-3, EN 50121-4, EN 50130-4 | |
| Electromagnetic Immunity Standards | EN 55035, EN 61000-6-1, EN 50121-4, EN 50130-4 | |
| Warranty | Limited 5 Year Warranty (avigilon.com/warranty) | |

Analytics Specifications

| Supported Analytics Events | |
|-------------------------------|--|
| Objects in Area | The event is triggered when the selected object type moves into the region of interest. |
| Object Loitering | The event is triggered when the selected object type moves into the region of interest and then stays for an extended amount of time. |
| Objects Crossing Beam | The event is triggered when the specified number of objects have crossed the directional beam that is configured over the camera's field of view. The beam can be unidirectional or bidirectional. |
| Object Appears or Enters Area | The event is triggered by each object that enters the region of interest. This event can be used to count objects. |
| Object Not Present in Area | The event is triggered when no objects are present in the region of interest. |
| Objects Enter Area | The event is triggered when the specified number of objects have entered the region of interest. |
| Objects Leave Area | The event is triggered when the specified number of objects have left the region of interest. |
| Object Stops in Area | The event is triggered when an object moves into a region of interest and then stops moving for the specified threshold time. |
| Direction Violated | The event is triggered when an object moves in the prohibited direction of travel. |
| Smart Motion Rule | Events are sent for person (including crawling) and vehicle present, against default unchangeable parameters |
| Tamper Detection | The event is triggered when the scene unexpectedly changes. |
| Crowd Size | This event is triggered when the number of people is exceeded over a configurable duration. |
| Unusual Crowd Growth | This event is triggered when a crowd size grows unexpectedly. |
| Unusual Crowd Size | This event is triggered when an unusual crowd size is detected. |

Analytics capabilities, including detection range, may vary by camera line. Please consult the Avigilon Self-Learning Video Analytics Design Guide for details

| Supported Classified Object Types | |
|-----------------------------------|--|
| Object Types in Outdoor Mode | Vehicle, sub-types: Car, Truck, Bicycle, Motorcycle, Bus Person |
| Object Types in Indoor Mode | Person |

| Teach by Example | |
|------------------|--|
| Teach By Example | Yes, when used with Avigilon Control Center™ or Avigilon Unity Video |

Supported Audio Analytics Events

| | |
|-------------------------------------|------------------|
| Gunshot ¹ | Up to 100 meters |
| Scream | Up to 15 meters |
| Glass Break | Up to 15 meters |
| Car Alarm | Up to 30 meters |
| Smoke Alarm | Up to 15 meters |
| Dog Bark | Up to 15 meters |
| Loud Noise | Up to 40 meters |
| Ultrasonic Panic Alarm ² | Up to 40 meters |

¹ Optional add-on license required.

² The detection range is influenced by the quality and power of the device used to create the panic alarm.

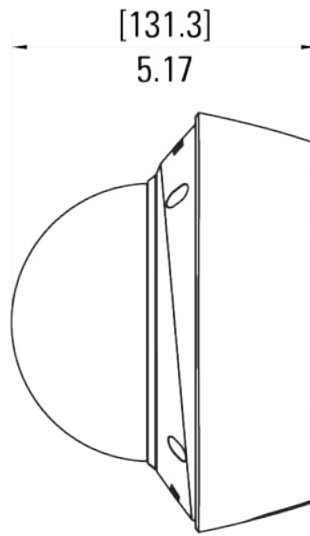
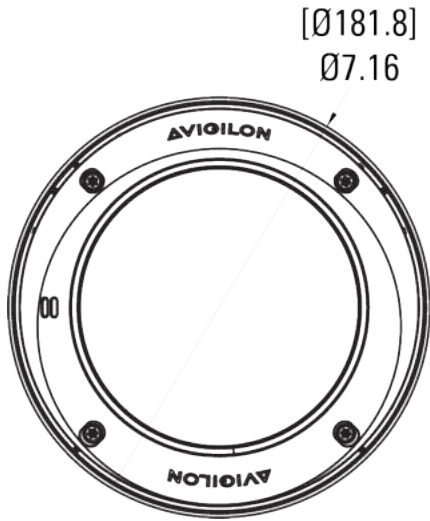
Avigilon Software Supported Features

| | |
|------------------------------------|---|
| Avigilon Unity Video 8.0 or higher | All supported analytic events with people and vehicles and all vehicle sub-types as classified objects. Appearance search when paired with appropriate server hardware. Unusual Activity Detection. H.265 supported. Audio analytics. Crowd analytics. Classified object privacy masking. |
| ACC Version 7.2 or higher | All supported analytic events with people and vehicles as classified objects. Appearance search when paired with appropriate server hardware. Unusual Activity Detection. H.265 supported. |

Outline Dimensions

Dome Camera with Surface Mount

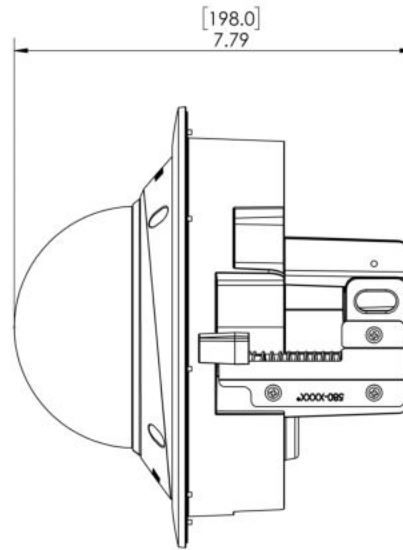
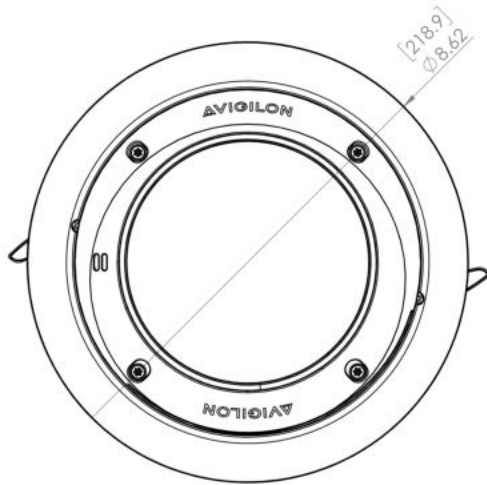
(H6A Dome camera + provided surface mount)



| [X.X] | INCHES |
|-------|--------|
| X | MM |

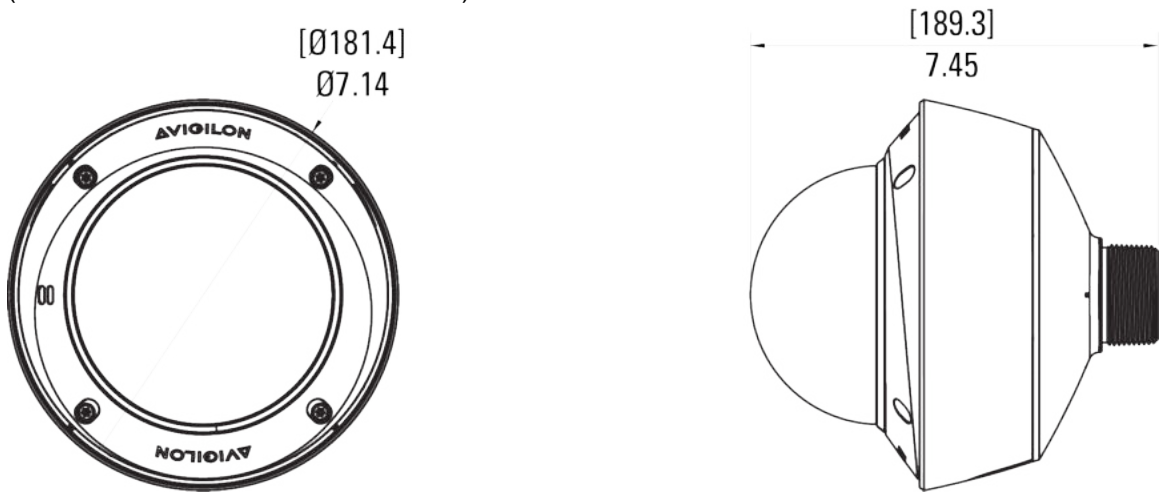
Dome Camera with In-Ceiling Mount

(H6A Dome camera + CLADP-1001)



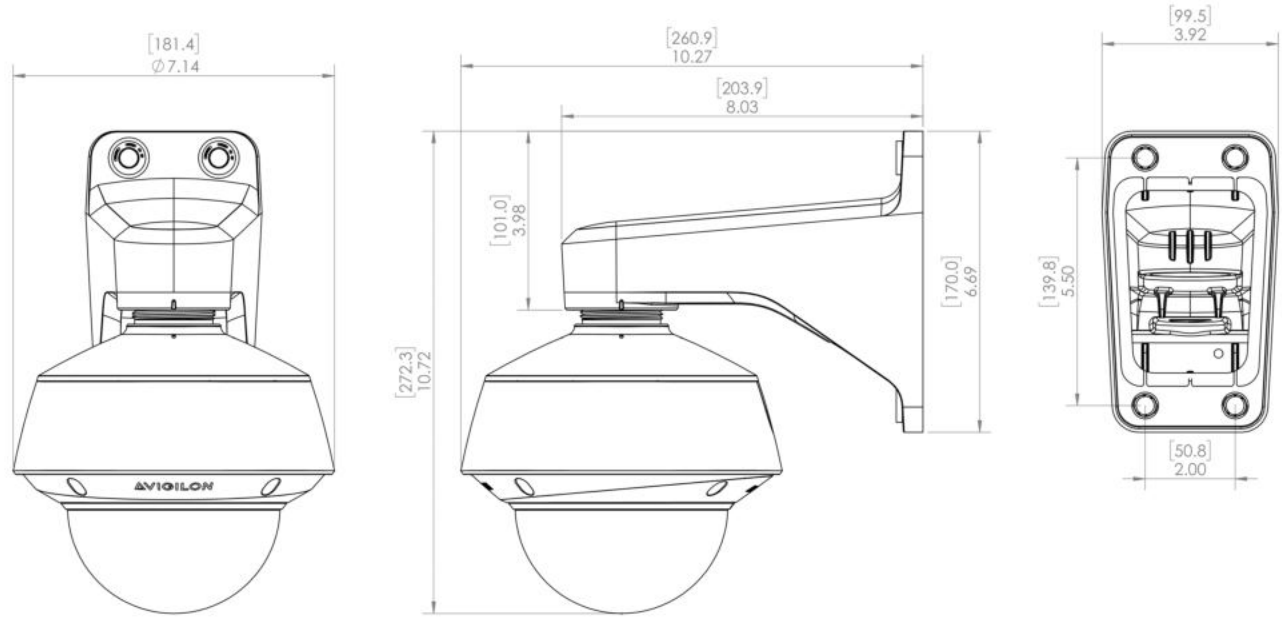
Dome Camera WITH NPT Adapter

(H6A Dome camera + H6A-MT-NPTA1)







Dome Camera WITH NPT Adapter and Pendant wall mount

(H6A Dome camera + H6A-MT-NPTA1 + WLMT-1021)



Ordering Information

| Mounting Scenario | | Ordering information |
|--------------------|---|---|
| PENDANT WALL MOUNT |  | <p>Order one of:</p> <ul style="list-style-type: none"> Indoor or outdoor surface mount camera H6A-MT-NPTA1 WLMT-1021 <p>Optional:</p> <ul style="list-style-type: none"> PLMT-1001 (Pole mount adapter) CRNMT-1001 (Corner mount adapter) |
| PENDANT NPT MOUNT |  | <p>Order one of:</p> <ul style="list-style-type: none"> Indoor or outdoor surface mount camera H6A-MT-NPTA1 |
| SURFACE MOUNT |  | <p>Order one of:</p> <ul style="list-style-type: none"> Indoor or outdoor surface mount camera <p>Optional:</p> <ul style="list-style-type: none"> DMSLD-1001 (weathershield) |
| IN-CEILING MOUNT |  | <p>Order one of:</p> <ul style="list-style-type: none"> Indoor or outdoor in-ceiling mount camera CLADP-1001 <p>Optional:</p> <ul style="list-style-type: none"> CLPNL-1011 (metal ceiling panel) |

Outdoor Dome Camera

(H6A-DO)

| | MP | WDR | Lightcatcher Technology | Lens | IR | Analytics | HDSM SmartCodec | Microphone | Seamless Failover |
|-----------------|-----|-----|-------------------------|--------------|----|-----------|-----------------|------------|-------------------|
| 2.0C-H6A-DO1 | 2.0 | ✓ | ✓ | 2.8 - 12 mm | | ✓ | ✓ | ✓ | |
| 2.0C-H6A-DO2 | 2.0 | ✓ | ✓ | 10.9 - 29 mm | | ✓ | ✓ | ✓ | |
| 2.0C-H6A-DO1-IR | 2.0 | ✓ | ✓ | 2.8 - 12 mm | ✓ | ✓ | ✓ | ✓ | |
| 2.0C-H6A-DO2-IR | 2.0 | ✓ | ✓ | 10.9 - 29 mm | ✓ | ✓ | ✓ | ✓ | |
| 4.0C-H6A-DO1 | 4.0 | ✓ | ✓ | 4.4 - 9.3 mm | | ✓ | ✓ | ✓ | |
| 4.0C-H6A-DO2 | 4.0 | ✓ | ✓ | 10.9 - 29 mm | | ✓ | ✓ | ✓ | |
| 4.0C-H6A-DO1-IR | 4.0 | ✓ | ✓ | 4.4 - 9.3 mm | ✓ | ✓ | ✓ | ✓ | |
| 4.0C-H6A-DO2-IR | 4.0 | ✓ | ✓ | 10.9 - 29 mm | ✓ | ✓ | ✓ | ✓ | |
| 6.0C-H6A-DO1 | 6.0 | ✓ | ✓ | 4.4 - 9.3 mm | | ✓ | ✓ | ✓ | |
| 6.0C-H6A-DO2 | 6.0 | ✓ | ✓ | 10.9 - 29 mm | | ✓ | ✓ | ✓ | |
| 6.0C-H6A-DO1-IR | 6.0 | ✓ | ✓ | 4.4 - 9.3 mm | ✓ | ✓ | ✓ | ✓ | |
| 6.0C-H6A-DO2-IR | 6.0 | ✓ | ✓ | 10.9 - 29 mm | ✓ | ✓ | ✓ | ✓ | |
| 8.0C-H6A-DO1 | 8.0 | ✓ | ✓ | 4.4 - 9.3 mm | | ✓ | ✓ | ✓ | |
| 8.0C-H6A-DO2 | 8.0 | ✓ | ✓ | 10.9 - 29 mm | | ✓ | ✓ | ✓ | |
| 8.0C-H6A-DO1-IR | 8.0 | ✓ | ✓ | 4.4 - 9.3 mm | ✓ | ✓ | ✓ | ✓ | |
| 8.0C-H6A-DO2-IR | 8.0 | ✓ | ✓ | 10.9 - 29 mm | ✓ | ✓ | ✓ | ✓ | |

(H6X-DO)

| | MP | WDR | Lightcatcher Technology | Lens | IR | Analytics | HDSM SmartCodec | Microphone | Seamless Failover |
|-----------------|-----|-----|-------------------------|--------------|----|-----------|-----------------|------------|-------------------|
| 4.0C-H6X-DO1-IR | 4.0 | ✓ | ✓ | 4.4 - 9.3 mm | ✓ | ✓ | ✓ | | ✓ |
| 4.0C-H6X-DO2-IR | 4.0 | ✓ | ✓ | 10.9 - 29 mm | ✓ | ✓ | ✓ | | ✓ |
| 8.0C-H6X-DO1-IR | 8.0 | ✓ | ✓ | 4.4 - 9.3 mm | ✓ | ✓ | ✓ | | ✓ |
| 8.0C-H6X-DO2-IR | 8.0 | ✓ | ✓ | 10.9 - 29 mm | ✓ | ✓ | ✓ | | ✓ |

Indoor Dome Camera

(H6A-D)

| | MP | WDR | Lightcatcher Technology | Lens | IR | Analytics | HDSM SmartCodec | Microphone | Seamless Failover |
|----------------|-----|-----|-------------------------|--------------|----|-----------|-----------------|------------|-------------------|
| 2.0C-H6A-D1 | 2.0 | ✓ | ✓ | 2.8 - 12 mm | | ✓ | ✓ | ✓ | |
| 2.0C-H6A-D2 | 2.0 | ✓ | ✓ | 10.9 - 29 mm | | ✓ | ✓ | ✓ | |
| 2.0C-H6A-D1-IR | 2.0 | ✓ | ✓ | 2.8 - 12 mm | ✓ | ✓ | ✓ | ✓ | |
| 2.0C-H6A-D2-IR | 2.0 | ✓ | ✓ | 10.9 - 29 mm | ✓ | ✓ | ✓ | ✓ | |
| 4.0C-H6A-D1 | 4.0 | ✓ | ✓ | 4.4 - 9.3 mm | | ✓ | ✓ | ✓ | |
| 4.0C-H6A-D2 | 4.0 | ✓ | ✓ | 10.9 - 29 mm | | ✓ | ✓ | ✓ | |
| 4.0C-H6A-D1-IR | 4.0 | ✓ | ✓ | 4.4 - 9.3 mm | ✓ | ✓ | ✓ | ✓ | |
| 4.0C-H6A-D2-IR | 4.0 | ✓ | ✓ | 10.9 - 29 mm | ✓ | ✓ | ✓ | ✓ | |
| 6.0C-H6A-D1 | 6.0 | ✓ | ✓ | 4.4 - 9.3 mm | | ✓ | ✓ | ✓ | |
| 6.0C-H6A-D2 | 6.0 | ✓ | ✓ | 10.9 - 29 mm | | ✓ | ✓ | ✓ | |
| 6.0C-H6A-D1-IR | 6.0 | ✓ | ✓ | 4.4 - 9.3 mm | ✓ | ✓ | ✓ | ✓ | |
| 6.0C-H6A-D2-IR | 6.0 | ✓ | ✓ | 10.9 - 29 mm | ✓ | ✓ | ✓ | ✓ | |
| 8.0C-H6A-D1 | 8.0 | ✓ | ✓ | 4.4 - 9.3 mm | | ✓ | ✓ | ✓ | |
| 8.0C-H6A-D2 | 8.0 | ✓ | ✓ | 10.9 - 29 mm | | ✓ | ✓ | ✓ | |
| 8.0C-H6A-D1-IR | 8.0 | ✓ | ✓ | 4.4 - 9.3 mm | ✓ | ✓ | ✓ | ✓ | |
| 8.0C-H6A-D2-IR | 8.0 | ✓ | ✓ | 10.9 - 29 mm | ✓ | ✓ | ✓ | ✓ | |

Dome Camera Accessories

| | |
|---------------------|---|
| H6A-MT-NPTA1 | Pendant NPT adapter |
| WLMT-1021 | Pendant wall arm, 1.5" NPT female, 20 cm (7.8") long |
| CLADP-1001 | In-Ceiling adapter |
| CLPNL-1011 | Metal ceiling panel for suspended ceiling installations |
| DMSLD-1001 | Weathershield for dome cameras |
| DMBBL-1001 | Replacement clear dome bubble |
| DMBBL-1011 | Replacement IR dome bubble |
| DMSBL-1001 | Optional smoked dome bubble, not compatible with the IR cameras |
| CBLKIT-1011 | USB adapter cable, for use with USB-AC56 Wifi install kit |
| USB-AC56-NA-MSI | USB Wifi adapter install kit (North America) |
| USB-AC56-EU-MSI | USB Wifi adapter install kit (Europe) |
| GROM-1001 | Camera sealing grommet, pack of 10 |
| GROM-1011 | Pipe sealing grommet, pack of 10 |
| PLMT-1001 | Pole mount adapter |
| CRNMT-1001 | Corner mount adapter |
| CAM-AA-GUNSHOT | Avigilon Camera Gunshot Audio Analytics Channel, one per camera |
| CAM-AA-GUNSHOT-180D | Avigilon Camera Gunshot Audio Analytics Channel, 180 day demo license. Please contact Avigilon Technical Support. |
| CAM-FIPS | Camera license to enable FIPS cryptographic module. |

Support

Learn more and find additional documentation at avigilon.com or email sales@avigilon.com for specific product support.



Jan 2024 | Rev 3

© 2024, Motorola Solutions, Inc. All rights reserved. MOTOROLA, MOTO, MOTOROLA SOLUTIONS, and the Stylized M Logo are trademarks or registered trademarks of Motorola Trademark Holdings, LLC and are used under license. AVIGILON, the AVIGILON logo, AVIGILON CONTROL CENTER, ACC, HDSM SmartCodec and LIGHTCATCHER are trademarks of Avigilon Corporation. The absence of the symbols ™ and ® in proximity to each trademark in this document or at all is not a disclaimer of ownership of the related trademark. All other trademarks are the property of their respective owners.

sales@avigilon.com | avigilon.com